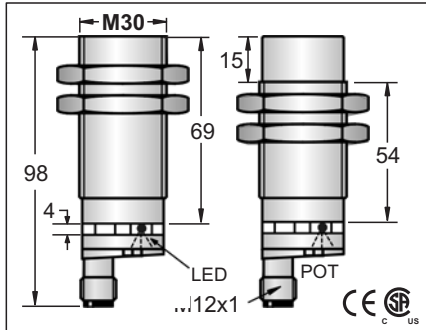


## DC CAPACITIVE PROXIMITY SWITCH CONNECTOR TYPE

| <b>M30</b>                             |                    |
|--|--------------------|
| ●                                      | ○                  |
| 2-20mm adjustable                      | 2-30 mm adjustable |
| stainless steel or nickel plated brass |                    |
| ●                                      |                    |

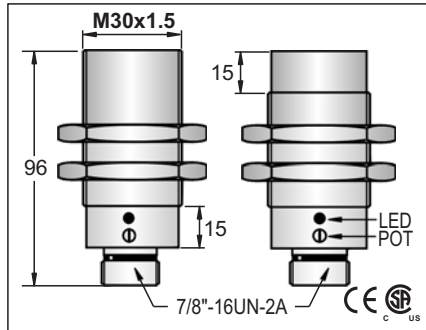


|   |
|---|
| 10-30VDC  |
| <10%  |
| <10mA   |
| 300mA   |
| <0.01mA   |
| -   |
| -   |
| <2 VDC  |
| 100HZ   |
| 1.5ms/1.5ms   |
| <15%(Sr)  |
| <5%(Sr)   |
| IP67  |
| -25°C— +70°C  |
| <10%(Sr)  |
| YES   |
| 350mA   |
| <25m s  |
| RFI>3V/m / EFT>1KV / ESD>4KV (contact)              |
| IEC 60947-5-2,Part 7.4.1 / IEC 60947-5-2,Part 7.4.2 |
| PBT   |

|                 |    |                 |
|-----------------|----|-----------------|
| CCM1-3020N-ARU4 | 33 | CCM2-3030N-ARU4 |
| CCM1-3020N-BRU4 | 34 | CCM2-3030N-BRU4 |
| CCM1-3020P-ARU4 | 35 | CCM2-3030P-ARU4 |
| CCM1-3020P-BRU4 | 36 | CCM2-3030P-BRU4 |
| CCM1-3020P-SRU4 | 38 | CCM2-3030P-SRU4 |
| CCM1-3020N-SRU4 | 37 | CCM2-3030N-SRU4 |
|                 |    |                 |
|                 |    |                 |
|                 |    |                 |
|                 |    |                 |
|                 |    |                 |
|                 |    |                 |
|                 |    |                 |
|                 |    |                 |
|                 |    |                 |
|                 |    |                 |
|                 |    |                 |
|                 |    |                 |
|                 |    |                 |
|                 |    |                 |
|                 |    |                 |
|                 |    |                 |
|                 |    |                 |

|             |             |
|-------------|-------------|
| approx.147g | approx.137g |
|-------------|-------------|

| <b>M30</b>          |                    |
|---------------------|--------------------|
| ●                   | ○                  |
| 2-20mm adjustable   | 2-30 mm adjustable |
| Nickel plated brass |                    |
| ●                   |                    |



|   |
|---|
| 10-30VDC  |
| <10%  |
| <10mA   |
| 300mA   |
| <0.01mA   |
| -   |
| -   |
| <2 VDC  |
| 100HZ   |
| 1.5ms/1.5ms   |
| <15%(Sr)  |
| <5%(Sr)   |
| IP67  |
| -25°C— +70°C  |
| <10%(Sr)  |
| YES   |
| 350mA   |
| <25m s  |
| RFI>3V/m / EFT>1KV / ESD>4KV (contact)              |
| IEC 60947-5-2,Part 7.4.1 / IEC 60947-5-2,Part 7.4.2 |
| PBT   |

|                 |    |                 |
|-----------------|----|-----------------|
| CCM1-3020N-AZU4 | 41 | CCM2-3030N-AZU4 |
| CCM1-3020N-BZU4 | 42 | CCM2-3030N-BZU4 |
| CCM1-3020P-AZU4 | 43 | CCM2-3030P-AZU4 |
| CCM1-3020P-BZU4 | 44 | CCM2-3030P-BZU4 |
| CCM1-3020P-SZU4 | 46 | CCM2-3030P-SZU4 |
| CCM1-3020N-SZU4 | 45 | CCM2-3030N-SZU4 |
|                 |    |                 |
|                 |    |                 |
|                 |    |                 |
|                 |    |                 |
|                 |    |                 |
|                 |    |                 |
|                 |    |                 |
|                 |    |                 |
|                 |    |                 |
|                 |    |                 |
|                 |    |                 |
|                 |    |                 |
|                 |    |                 |
|                 |    |                 |
|                 |    |                 |
|                 |    |                 |
|                 |    |                 |
|                 |    |                 |

|             |             |
|-------------|-------------|
| approx.187g | approx.179g |
|-------------|-------------|

|  |  |
|--|--|
|  |  |
|  |  |
|  |  |
|  |  |
|  |  |



|  |
|--|
|  |
|  |
|  |
|  |
|  |
|  |
|  |
|  |
|  |
|  |
|  |
|  |
|  |
|  |
|  |
|  |
|  |
|  |
|  |
|  |
|  |
|  |

|  |  |  |
|--|--|--|
|  |  |  |
|  |  |  |
|  |  |  |
|  |  |  |
|  |  |  |
|  |  |  |
|  |  |  |
|  |  |  |
|  |  |  |
|  |  |  |
|  |  |  |
|  |  |  |
|  |  |  |
|  |  |  |
|  |  |  |
|  |  |  |
|  |  |  |
|  |  |  |
|  |  |  |
|  |  |  |
|  |  |  |
|  |  |  |

|  |  |
|--|--|
|  |  |
|--|--|

DC CAPACITIVE PROXIMITY SWITCH CONNECTOR TYPE