

Product Catalog



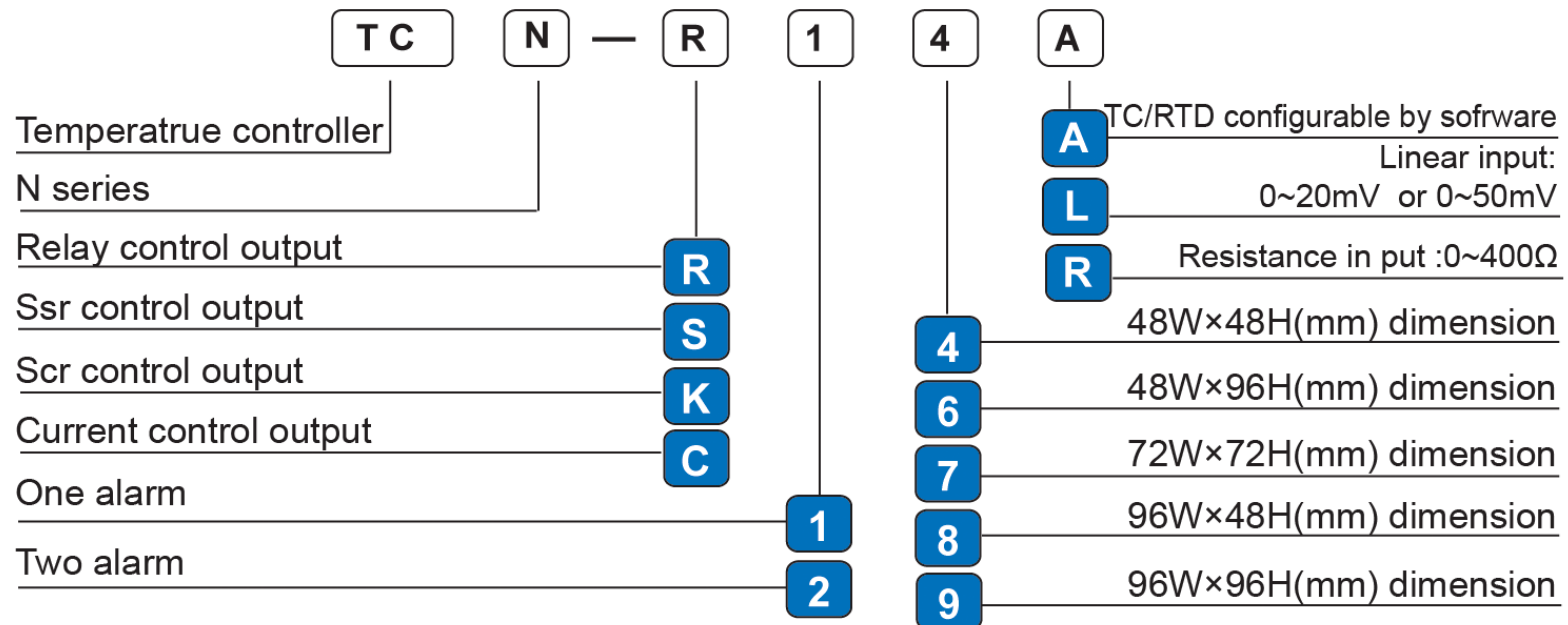
[Click to enlarge](#)

**Code:** TCN-□□6

**Features:**

- \* PID temperature controller or ON/OFF control; built with SMT technology
- \* Auto tune function, fuzzy PID, Cooling/heating function.
- \* Dual line 4 LED digit display: upper LED: red; lower LED: green
- \* Soft buttons, easily operate
- \* Optional input signals: thermocouple: K,S, E, J,T,B; thermo resistance: Pt100, Cu50
- \* Optional control output: Relay, SSR(Logic), SCR or Linear output
- \* 2 alarm output, up to 12 kinds of alarm mode
- \* Measuring accuracy:  $\leq \pm 0.5\%F.S \pm 1$  digit (under normal conditions)
- \* Optional instrument size: 48W×96H
- \* Application ranges: food&beverage; oven, furnace, plastic extruder, chemicals processing,heating process...etc. (For temperature measuring and control)

1. Product model is named:



## 2. Ordering Code:

Model and Type	Input	Output	Alarm	Size	Buy
TCN-R16A(L/R)	A:TC/RTD input L:Linear input R: Rt input	Relay	1 relay alarm(alarm mode can be selected)	48×96mm	<input type="checkbox"/>
TCN-S16A(L/R)	A:TC/RTD input L:Linear input R: Rt input	SSR/Logic	1 relay alarm(alarm mode can be selected)	48×96mm	<input type="checkbox"/>
TCN-K16A(L/R)	A:TC/RTD input L:Linear input R: Rt input	SCR	1 relay alarm(alarm mode can be selected)	48×96mm	<input type="checkbox"/>
TCN-C16A(L/R)	A:TC/RTD input L:Linear input R: Rt input	Current(0-10mA or 4-20mA)	1 relay alarm(alarm mode can be selected)	48×96mm	<input type="checkbox"/>
TCN-R26A(L/R)	A:TC/RTD input L:Linear input R: Rt input	Relay	2 relay alarm(alarm mode can be selected)	48×96mm	<input type="checkbox"/>
TCN-S26A(L/R)	A:TC/RTD input L:Linear input R: Rt input	SSR/Logic	2 relay alarm(alarm mode can be selected)	48×96mm	<input type="checkbox"/>
TCN-K26A(L/R)	A:TC/RTD input L:Linear input R: Rt input	SCR	2 relay alarm(alarm mode can be selected)	48×96mm	<input type="checkbox"/>
TCN-C26A(L/R)	A:TC/RTD input L:Linear input R: Rt input	Current(0-10mA or 4-20mA)	2 relay alarm(alarm mode can be selected)	48×96mm	<input type="checkbox"/>

[Order List](#)

[Order Now](#)

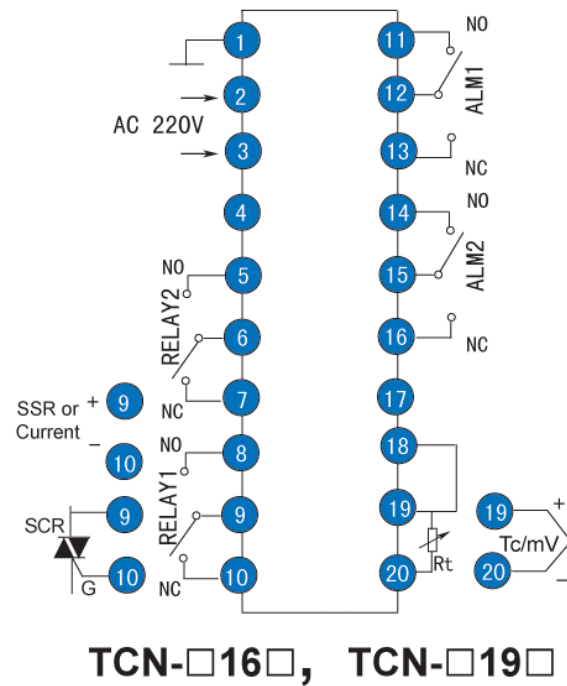


## 3. Technical Specifications:

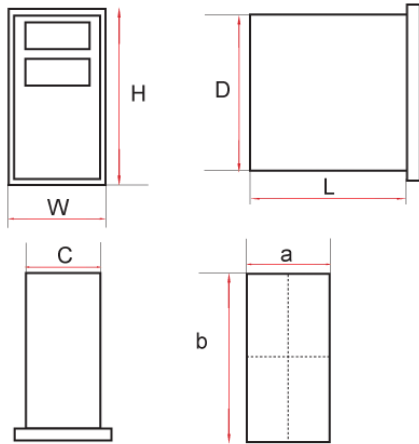
Property project	Specific parameter
Input Type	TC(K/E/J/S/T/B)&RTD(Pt100/Cu50)or Rt or Linear input

Control Output	Relay or SSR or SCR or current output(0-10mA or 4-20mA)
Control type	ON/OFF control / PI control / fuzzy PID
Measuring accuracy	0.5%±1digit
Operation conditions	0-50°C/45-85RH%/86-106KPa
Insulation Strength	AC 1500V 1 min / DC500V ≥50MΩ
Power Supply	85-260V AC
Power Supply	6:48W×96H

4. Electrical Connection Drawing:



5. The picture of product mix:



MODE	DIMENSION		INSTALLATION HOLE DIMENSION: a × b(mm)
	W × H(mm)	C × D × L(mm)	
TCN-□14□	48 × 48	44 × 44 × 100	45 × 45
TCN-□16□	48 × 96	44 × 92 × 100	45 × 93
TCN-□17□	72 × 72	68 × 68 × 100	69 × 69
TCN-□18□	96 × 48	92 × 44 × 100	93 × 45
TCN-□19□	96 × 96	92 × 92 × 100	93 × 93

#### 6. Notice:

- \* Users are prohibited to repair the controller by themselves to avoid any damage to the controller.
- \* The controller needs to check and maintain regularly so as to operate safely long-term. To change the damaged components, please contact our sales people or technical people for assistance.
- \* The product should be power ON for 15m before operating; please clean the instrument, make sure the power is at "OFF" status.
- \* To clean out the dust or dirt on the instrument screen, please use soft cloth or cotton paper.
- \* Do not touch the instrument screen by hard objects to avoid scratch of the screen.
- \* Do not use screw driver or hard pin to touch the soft buttons on the faceplate.
- \* The complete product contains: product with connection diagram and , instruction manual, installing brackets (1 set), inspection certificate and packing box with product label.



© copyright (2005) IBEST ELECTRICAL CO.LTD  
 No.1,GuangEr Industrial Zone,SanJiao Town, ZhongShan, GuangDong, China, P.R.C  
 Tel.: +86-760-85541651(technical) 85541652(sales)  
 Fax.: +86-760-85549680  
 www.ibestchina.com  
 sales@ibestchina.com  
[粤icp备05028653号](#)