

Dear clients, thanks for choosing IBEST DW Series coulo-meter! Before installing and operating the panel meters, please read this instruction manual carefully. For any questions, please contact our sales people immediately.

## PREREAD INSTRUCTIONS

### SAFETY CAUTIONS:

- Make sure the power is at "OFF" status before connecting the wires to avoid electric shock and strictly follow the connection diagram given out by the factory.
- Make sure the power OFF when cleaning the product.
- Working beyond the stated power supply is prohibited so as to avoid damage to the product or cause fire.
- User is prohibited to disconnect the housing or repair the instrument himself, to avoid causing damage to instrument, unless under instructions of manufacturer.
- Make sure the OUTPUT RELAY is used at the rated load and electrical life, if the contact of the output reply works against the electrical life, it may melt or burned or even cause fire.

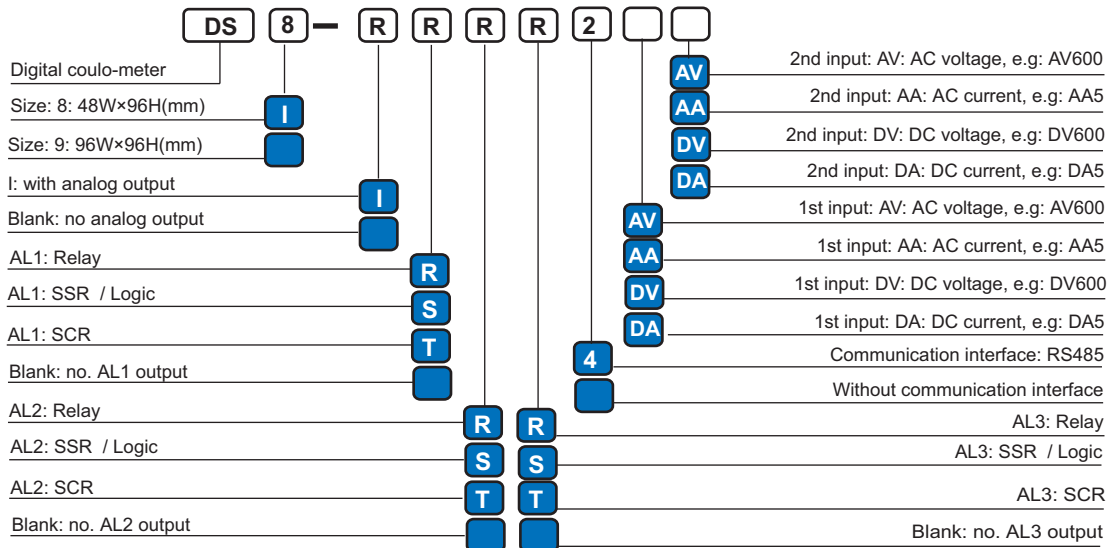
### INSTALLATION NOTICE:

- The product can not be installed outdoors, otherwise will shorten the operation life or cause electrical shock accidents.
- Ambient temperature: 0°C (32F) ~ 50°C (122F)
- Avoid to use the product in the such conditions as the dusty, flammable, explosive gas, vapor, water and oil spray environments.
- Prevent from strong surge & impact, high interference or other bad influences conditions.
- The product does not include a switch or fuse, if necessary, user needs to install by themselves, suggested spec. of fuse: rated voltage:

## 1. FEATURES

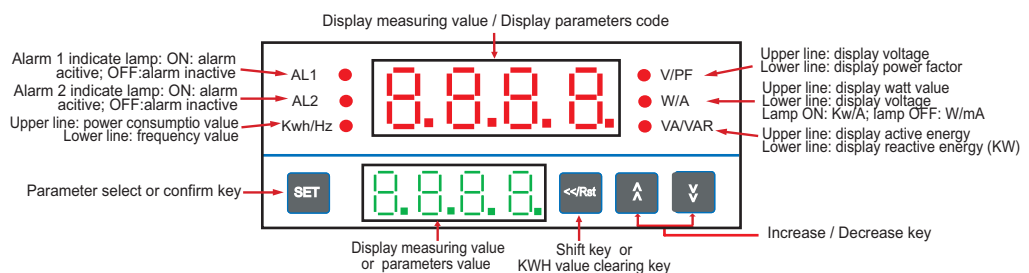
- Multi-function coulo-meter, size: DW8 (48×96×100mm); DW9 (96×96×100mm).
- Measuring object: voltage, current, power, power consumption, power factor, frequency, active energy, reactive energy.
- CT and PT are set freely.
- Up to 3 alarm relays, contact capacity: AC 250V/3A or DC 30V/3A (resistance load).
- With analog 4~20mA output.
- With RS485 communication interface, modubus RTU protocol.
- Power supply: AC 90~260V 50/60HZ, power consumption<5VA
- Applications: applied in electrical power systems for auto control, e.g.: single/three phase current/voltage/power consumption...etc for displaying and control.

## 2. ORDERING CODE



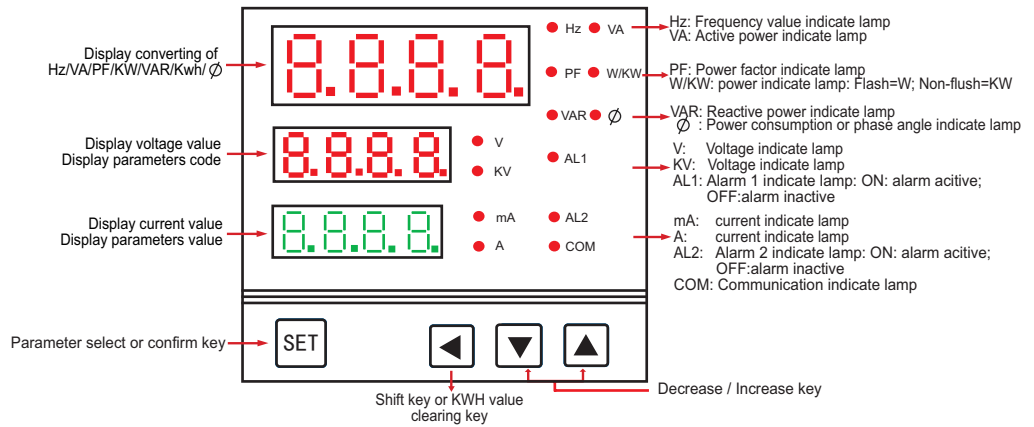
## 3. PANEL ILLUSTRATIONS

### DW8 PANEL (Single phase)



IBEST ELECTRICAL CO.,LTD

## DW9 PANEL (Single and 3phase)



### 4. INPUT SIGNALS

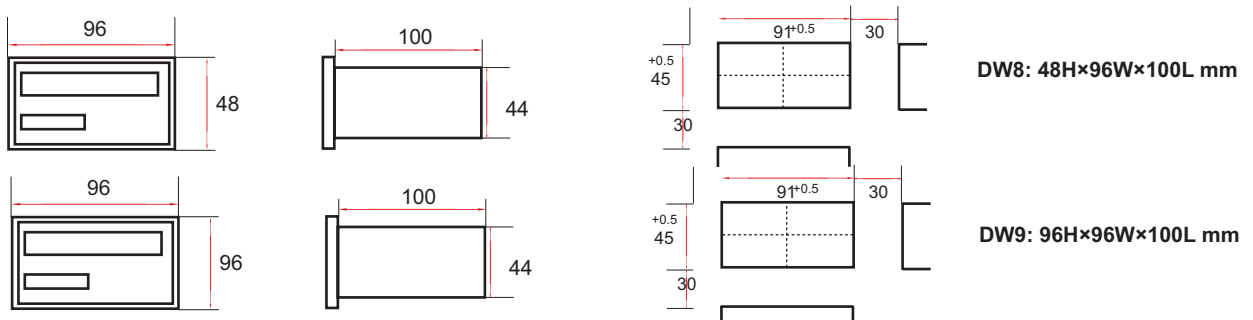
Input Signals (optional)	Measuring Range	Input Impedance	Factory settings
A (AA / DA)	AC 0~5A / 0~2A	Ratio freely set	0~5A
mA	0~1mA, 0~10mA, 4~20mA	≤ 150Ω	
V(AV / DV)	0~5V, 0~10V, 0~600V	≤ 200KΩ	0~600V
mV	0~10mV, 100mV	≤ 2MΩ	

Notice: 1- if special signals are requested, please point out when order.  
2- when >10A, CT=XX:5A ; when >600V,PT=XX:100V.

### 5. TECHNICAL SPECIFICATIONS

<b>Power supply:</b>	90-260V AC 50/60HZ (+/- 10%)
<b>Power consumption:</b>	≤ 5VA
<b>Measuring object:</b>	voltage, current, power, power consumption, power factor, frequency, active energy, reactive energy.
<b>Input range :</b>	Voltage: 0~600V; Current: 0~5A, 0~10A
<b>PT/CT:</b>	can be set freely by user
<b>Measuring frequency:</b>	0~2.5KHz
<b>Alarm output:</b>	up to 3 alarm output; alarm modes can be set by user freely
<b>Sampling rate:</b>	<2 times/s
<b>Measuring accuracy:</b>	Voltage/Power/power factor: ±0.5% F.S.±2Digit Current: ±0.3% F.S.±2Digit Frequency: .0~400Hz ±1Hz
<b>Insulation strength:</b>	100M Ohm (DC 500V, between terminal ends and plastic case)
<b>Withstand voltage:</b>	AC 1500V/1 min ( between terminal ends and plastic case)
<b>Ambient temperature:</b>	0~50℃, humidity: 35~85% R.H.)
<b>Communication:</b>	RS485 interface (Modbus RTU protocol)
<b>Instrument DIM.:</b>	48H×96W×100L Dual line 4 digit soft buttons for setting 96H×96W×100L Three lines 4 digit soft buttons for setting

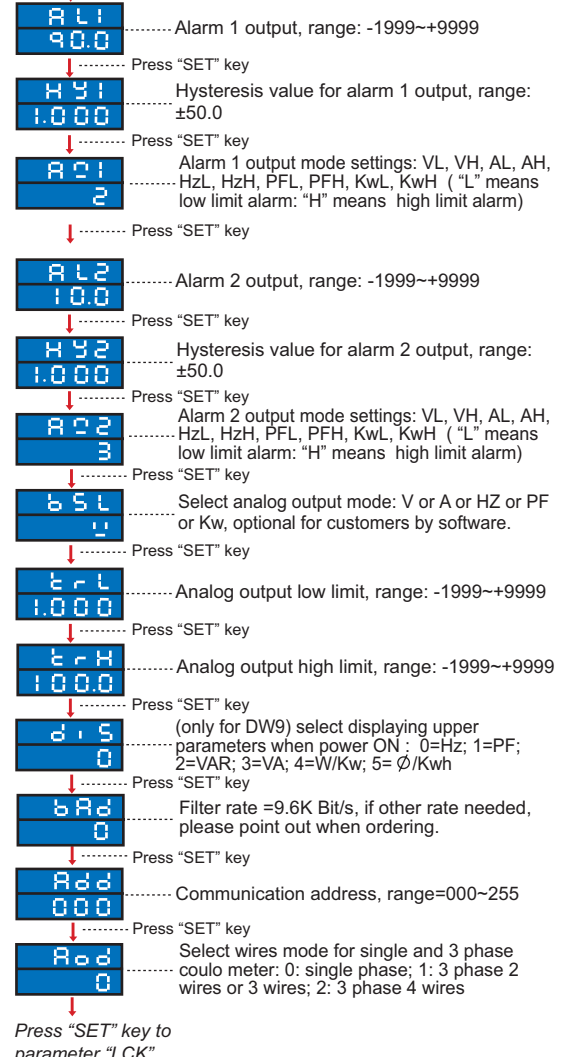
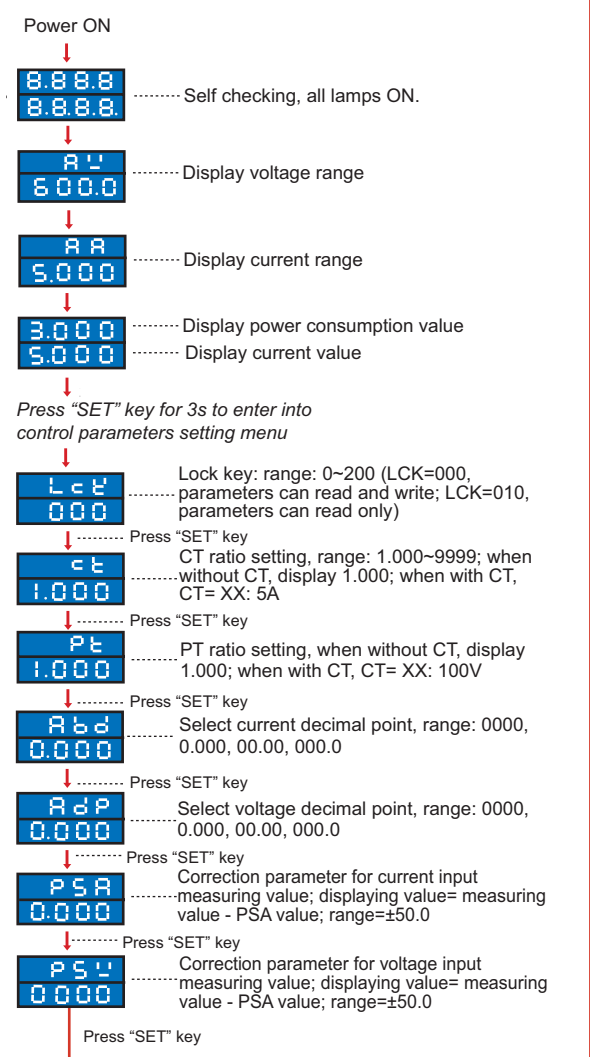
### 6 PANNEL DIMENSIONS AND INSTALLING HOLE DIMENSIONS



## 7. PARAMETERS SETTING

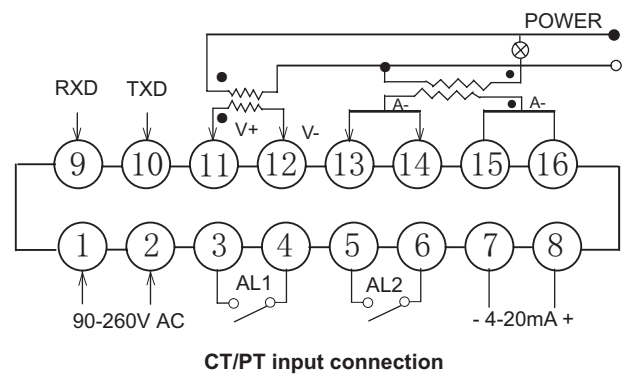
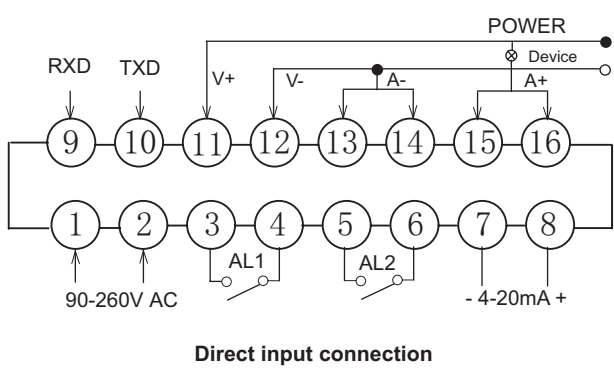
- a. At the processing estate, press "Set" key> 3s to enter into control parameters setting menu. Press "<</RST" key once can shift the digit, press "▲"/"▼" to modify parameters, press "Set" key to confirm the value modified. At last Press "Set" again to move to the next parameter. No key operation within 25s, it will go back to the processing estate.
- b. Kwh value clearing: when displaying VA/VAR, press " <</RST " key for 3s.
- c. upper and lower display parameters can decide freely by parameter " DSH (upper line)" and " DSL (lower line) "; when indicate lamp ON = display left unit; when indicate lamp FLSH = display right unit. E.g: when V/PF indicate lamp ON, display voltage value; when V/F indicate lamp FLASH, display power factor.
- c.(DW9): press "SET" key can convert displaying parameters freely.

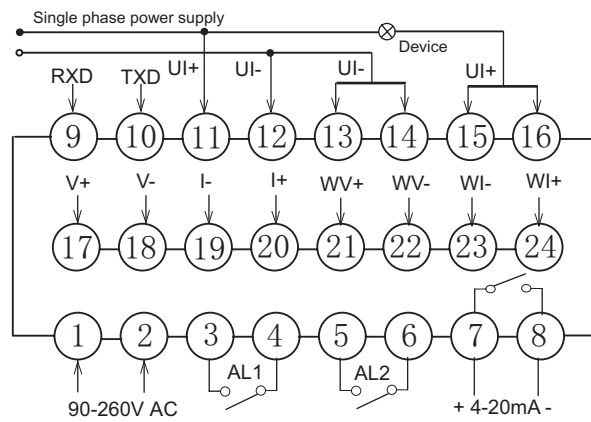
## 8. CONTROL PARAMETERS MENU



\* When without analog output, can select alarm output.

## 9. ELECTRICAL CONNECTION DRAWING





**DW9 connection (Single or 3 phase )**

**Notice:** \* if above connections are different from connections on product, please according to product.

\* When DW9 are used as 3 phase power consumption meter, can select 3 phase 2 wires, 3 phase 3 wires, 3 phase 4 wires.

## 10. MALFUNCTION DEALING METHODS

- Check instrument wiring is correct or wrong. Special attention: make sure not mis-connect power input wires and signal wires; make sure output terminal points not short circuit by strong current.
- When measuring value displays incorrect, check wires direction is correct or wrong, e.g: when current wires are connected in reverse, power will be negative.
- Check input mode, particularly 3 phase connection, attention to parameter "Aod".

## 11. PACKAGING NOITICE

- Compelete packaging includes: instrument, instrument supports brackets and screws, instrument user manual, product label, connection drawing label, QC label.
- Guarantee peroid: 12 months from date of shipping.